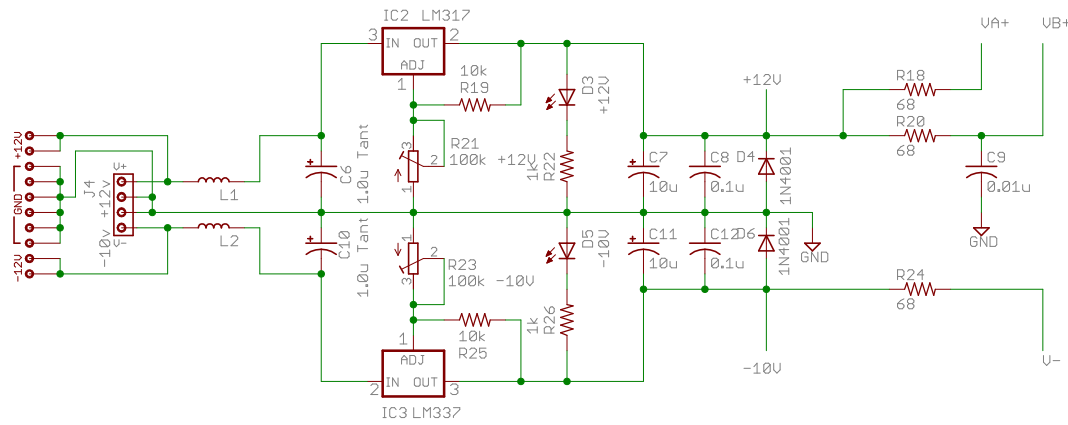


C1 should be a polystyrene or other temperature stable capacitor.

SW1 Pos.	SIG OUT	PHONE OUT
2-OUT	SIG	N/A
3-MON	N/A	SIG
4-TUNE	N/A	SIG & OSC
5-T.OUT	SIG & OSC	N/A

NOTES:

- If regulators are not needed/used, do not install the associated components such as C6, R19, R21, R22, and D3 for the LM317, and C10, R23, R25, R26, and D5 for the LM337.
- Solder a jumper between the IN and OUT pins respectively in place of the unused regulator, pins 2 and 3 in each case.
- The LEDs and respective current limiting resistor only need to be installed if the circuit load is insufficient for the respective regulator.
- See the LM317 and LM337 data sheet for minimum load specifications.
- C1 should be polystyrene or other temperature stable capacitor.
- Mount D1 in thermal contact with Q2.
- Mount D2 in thermal contact with Q6.
- Calibration: Input a sinewave and adjust R12 to minimize the distortion at the headphone output.



SP_Tuner_Monitor_1.2	
TITLE: Tuner Monitor	
Document Number:	REV:
Date: 2/21/2011 11:35:38 PM	Sheet: 1/1