

NOTES:

If regulators are not needed/used, do not install the associated components such as C5, R5, R6, R7, and D1 for the LM317, and C8, R8, R9, R10, and D3 for the LM337.

Solder a jumper between the IN and OUT pins respectively in place of the unused regulator, pins 2 and 3 in each case.

The LEDs and respective current limiting resistor only need to be installed if the circuit load is insufficient for the respective regulator.

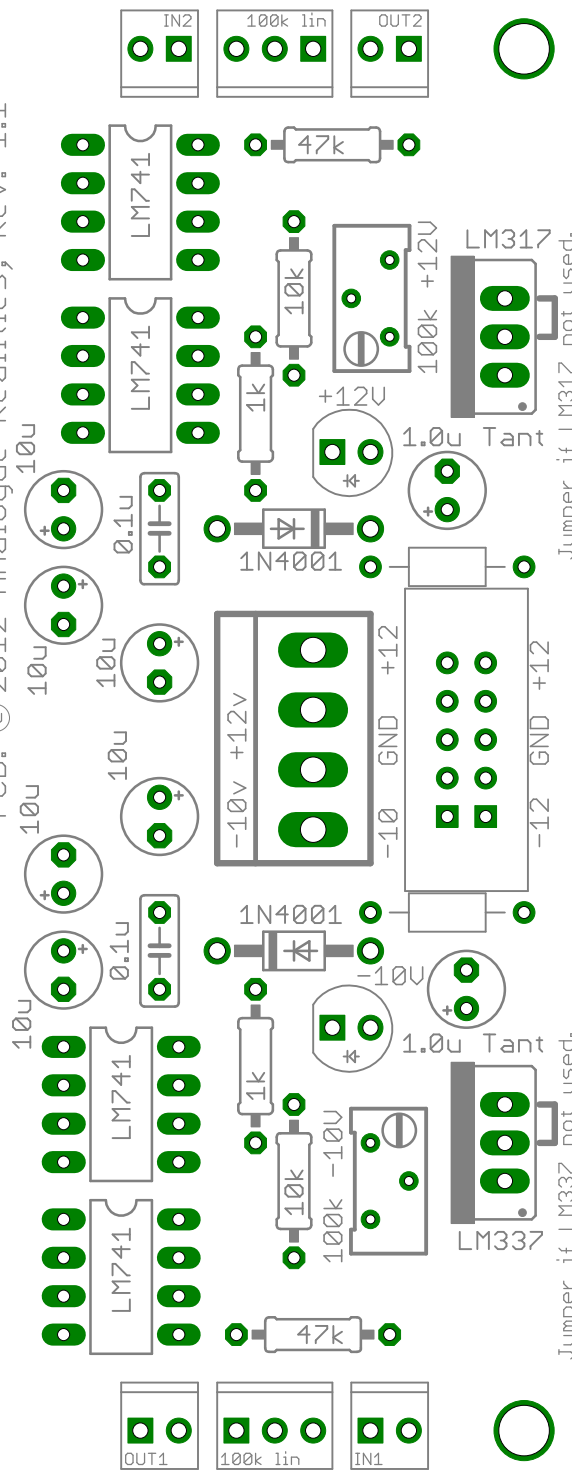
See the LM317 and LM337 data sheet for minimum load specifications.

Copyright 2010 Nyle Steiner and Analogue Realities. All rights reserved

SP_Volt_Fol_1.1	
TITLE: Voltage Follower	
Document Number:	REV:
Date: 3/3/2012 1:13:31 AM	Sheet: 1/1

Steiner Voltage Follower

Circuit: © 1976 Nyle Steiner
PCB: © 2012 Analogue Realities, Rev. 1.1

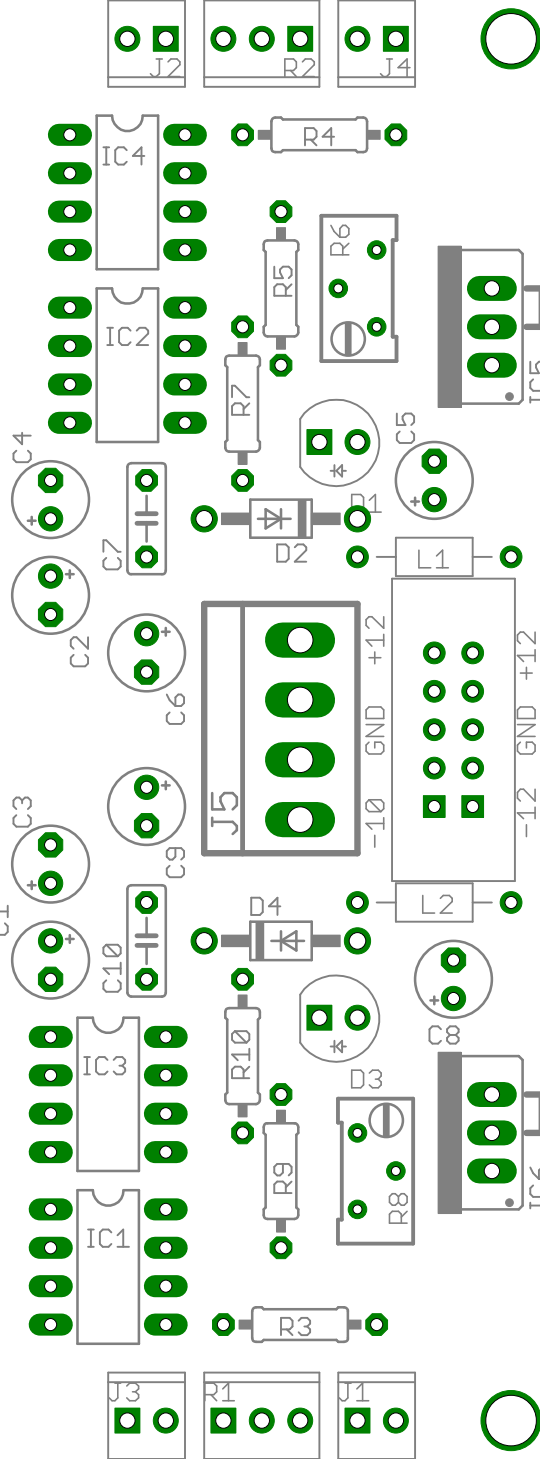


Jumper if LM317 not used.

Jumper if LM337 not used.

Steiner Voltage Follower

Circuit: ©1976 Nyle Steiner
 PCB: ©2012 Analogue Realities, Rev. 1.1



Jumper if LM317 not used.

Jumper if LM337 not used.