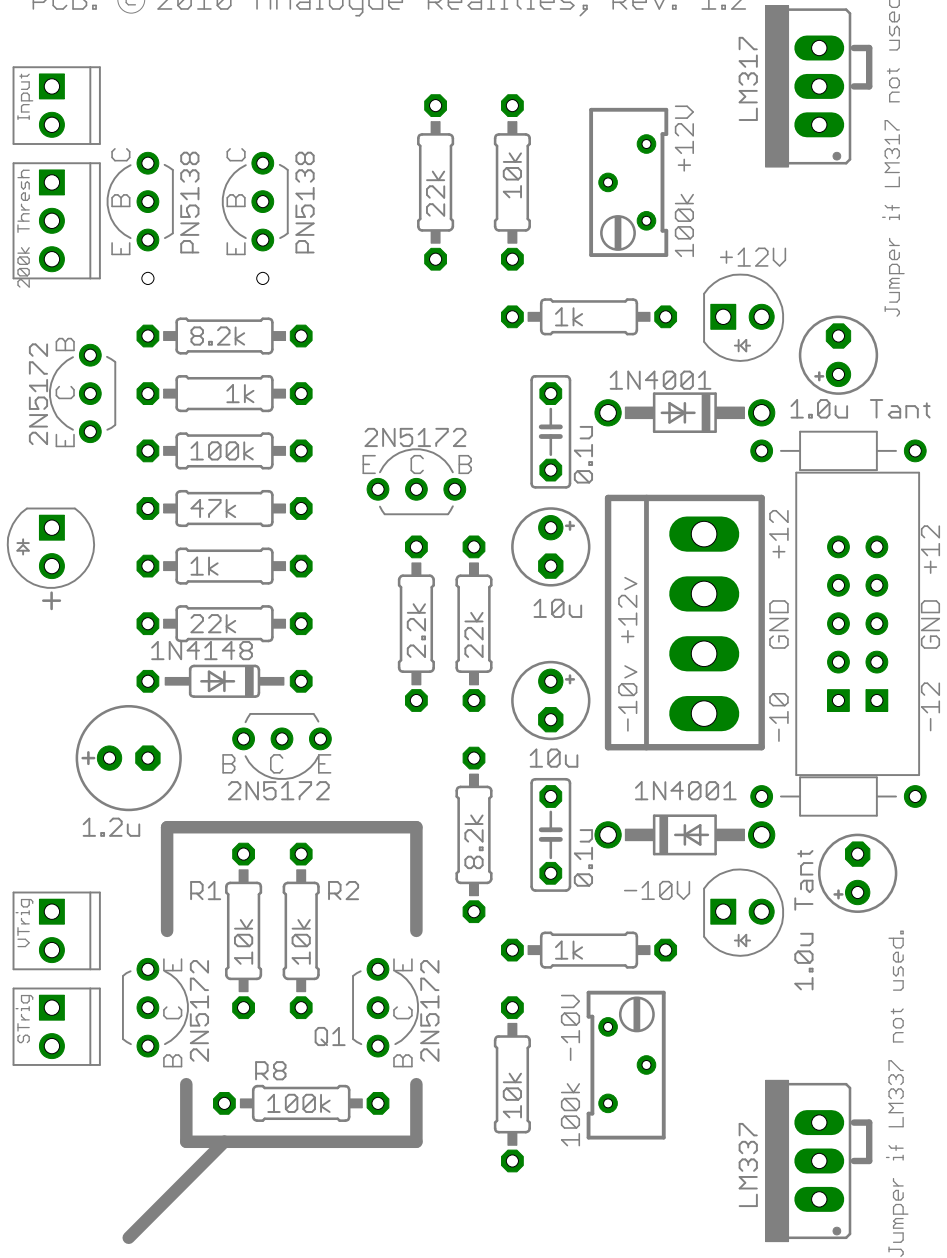


# Steiner Peak Selector

Circuit: © 1976 Nyle Steiner

PCB: © 2010 Analogue Realities, Rev. 1.2



You don't need to install Q1, R1, R2, or R8 for S-Trigger