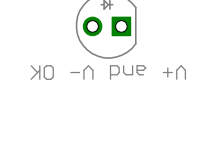
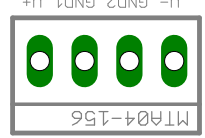
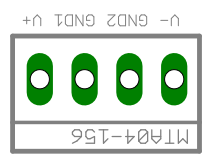
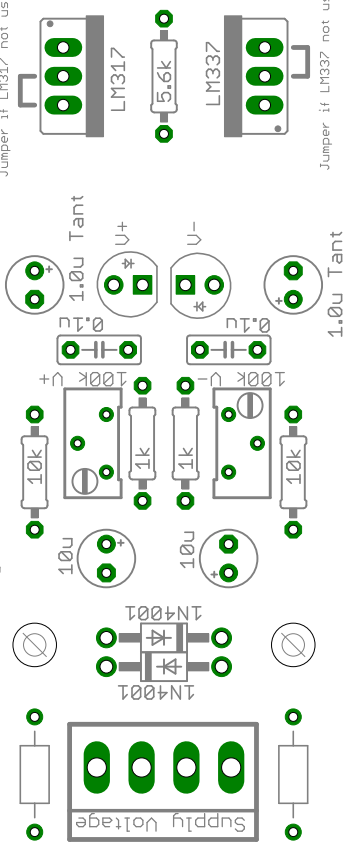


# Steiner Keyboard Power Dist © 2012 Analogue Realities Rev 1.0

Jumper if LM317 not used



LEDs are to maintain a minimum load for proper regulation. They may be omitted if not needed. Only install regulators if needed to convert +/-15V to +/-10V, or -12V to -10V. Jumper indicated leads if regulator is not used.