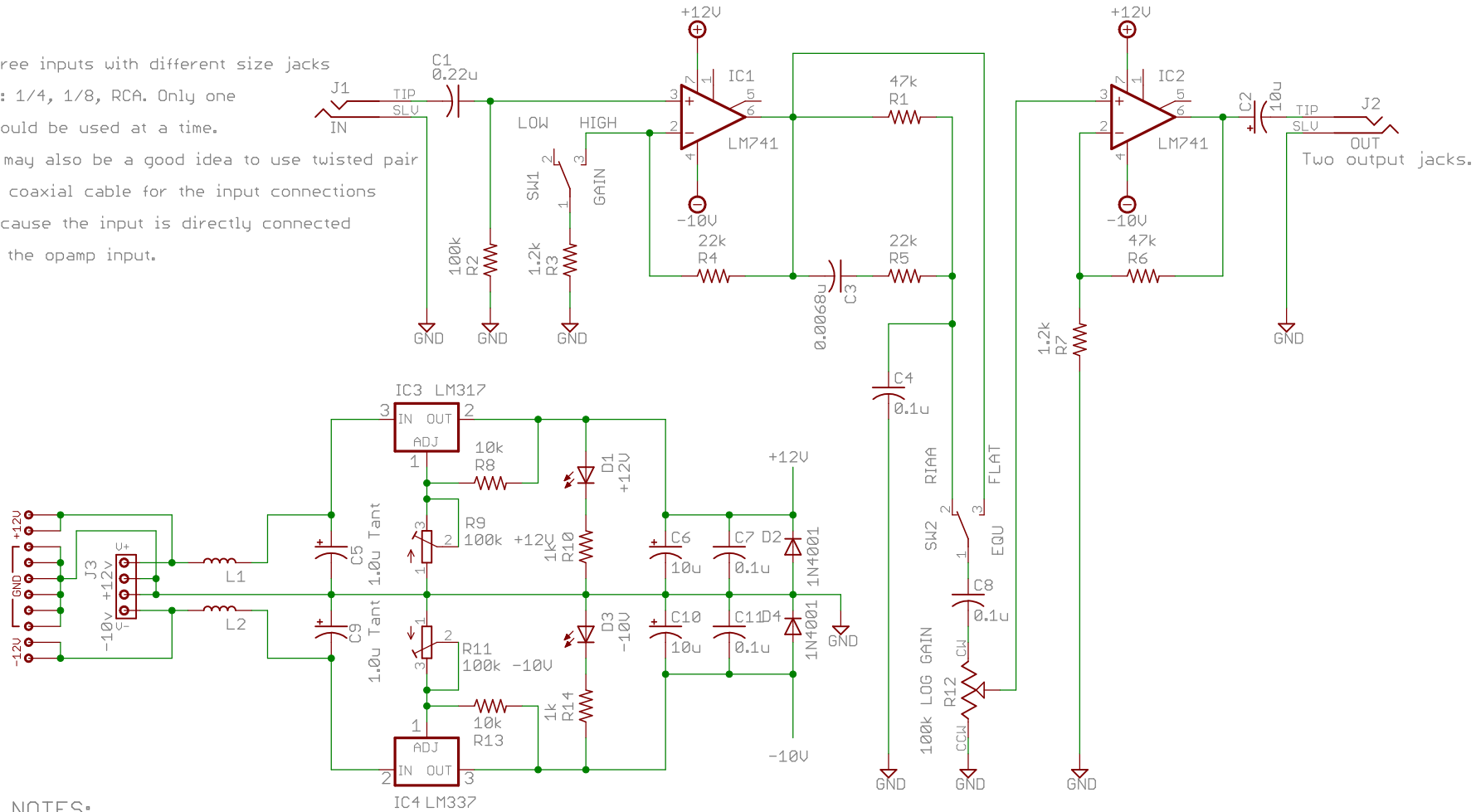


Three inputs with different size jacks

EG: 1/4, 1/8, RCA. Only one should be used at a time.

It may also be a good idea to use twisted pair or coaxial cable for the input connections because the input is directly connected to the opamp input.



NOTES:

If regulators are not needed/used, do not install the associated components such as C4, R7, R8, R9, and D1 for the LM317, and C8, R10, R12, R13, and D3 for the LM337.

Solder a jumper between the IN and OUT pins respectively in place of the unused regulator, pins 2 and 3 in each case.

The LEDs and respective current limiting resistor only need to be installed if the circuit load is insufficient for the respective regulator.

See the LM317 and LM337 data sheet for minimum load specifications.

SP_IA_1.3	
TITLE: Input Amplifier	
Document Number:	REV:
Date: 3/3/2012 2:04:49 AM	Sheet: 1/1