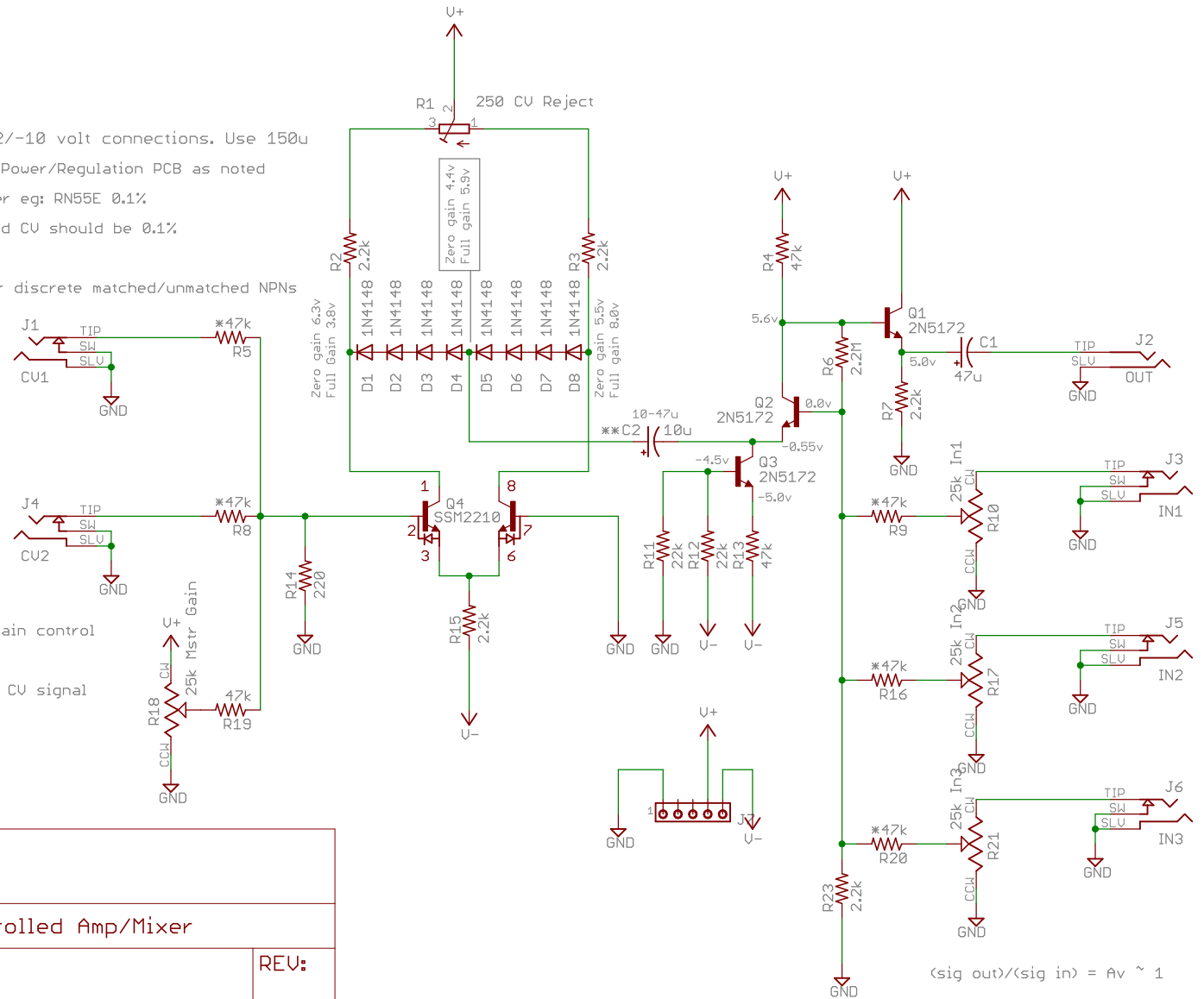


The UCA uses the U+/U- and not the +12/-10 volt connections. Use 150u electrolytics and 360 ohm resistors on the Power/Regulation PCB as noted
 R14 - 220, and R15 - 2.2k; use 1% or better eg: RN55E 0.1%
 * 47k input summing resistors for signal and CU should be 0.1%
 ** C2 can be 10 to 47u.
 Q4 can be a monolithic pair like SSM2210 or discrete matched/unmatched NPNs

Calibration:

With input signal nulled using front panel Gain control and with envelope modulation applied, adjust Balance trimmer (CU Null) for minimum CU signal signal at the output.



SPVCA_Mixer_1.2	
TITLE: Voltage Controlled Amp/Mixer	
Document Number:	REV:
Date: 5/29/2011 10:44:41 PM	Sheet: 1/1