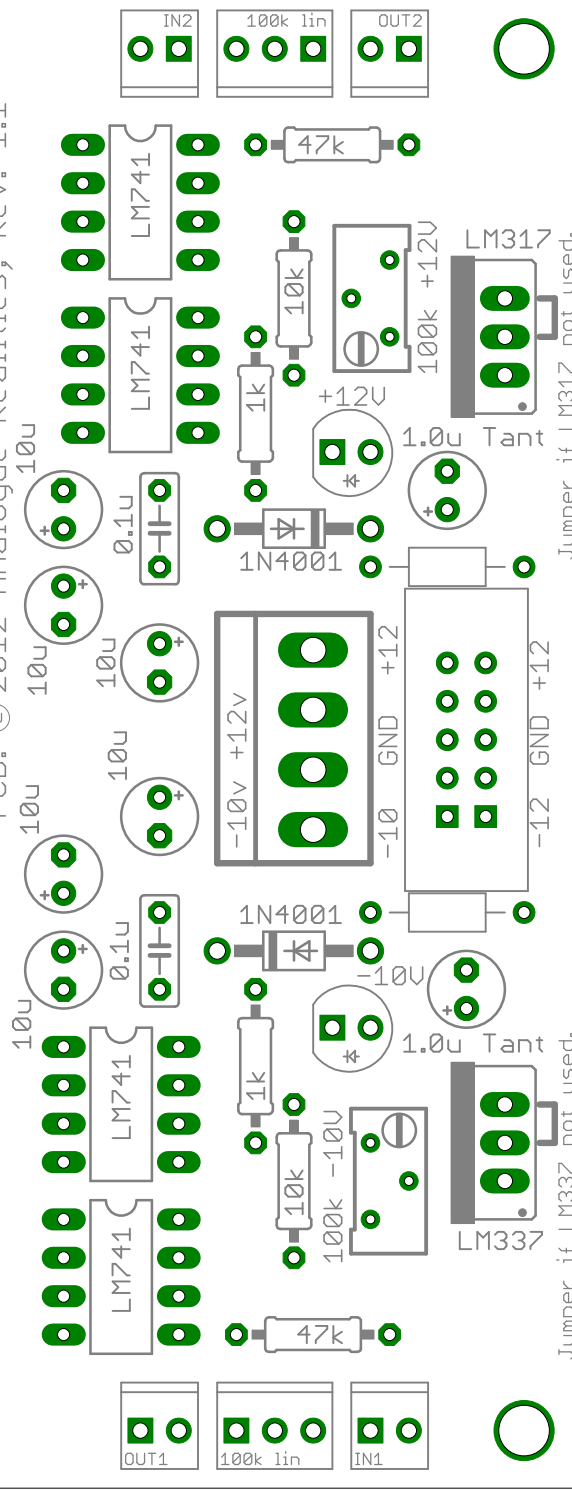


# Steiner Voltage Follower

Circuit: © 1976 Nyle Steiner  
PCB: © 2012 Analogue Realities, Rev. 1.1



Jumper if LM317 not used.

Jumper if LM337 not used.