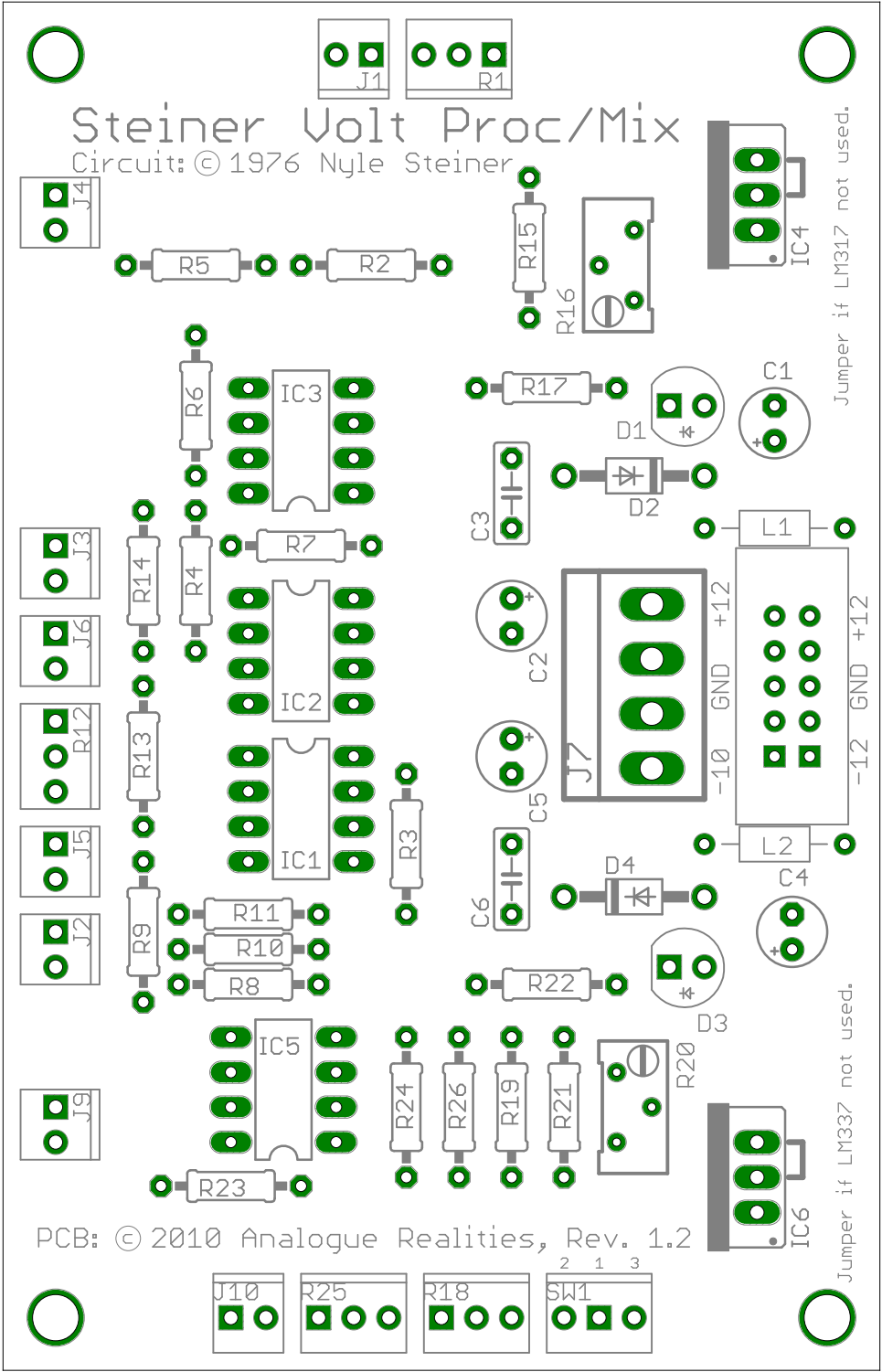


# Steiner Volt Proc/Mix

Circuit: © 1976 Nyle Steiner



PCB: © 2010 Analogue Realities, Rev. 1.2

Jumper if LM317 not used.

Jumper if LM337 not used.

