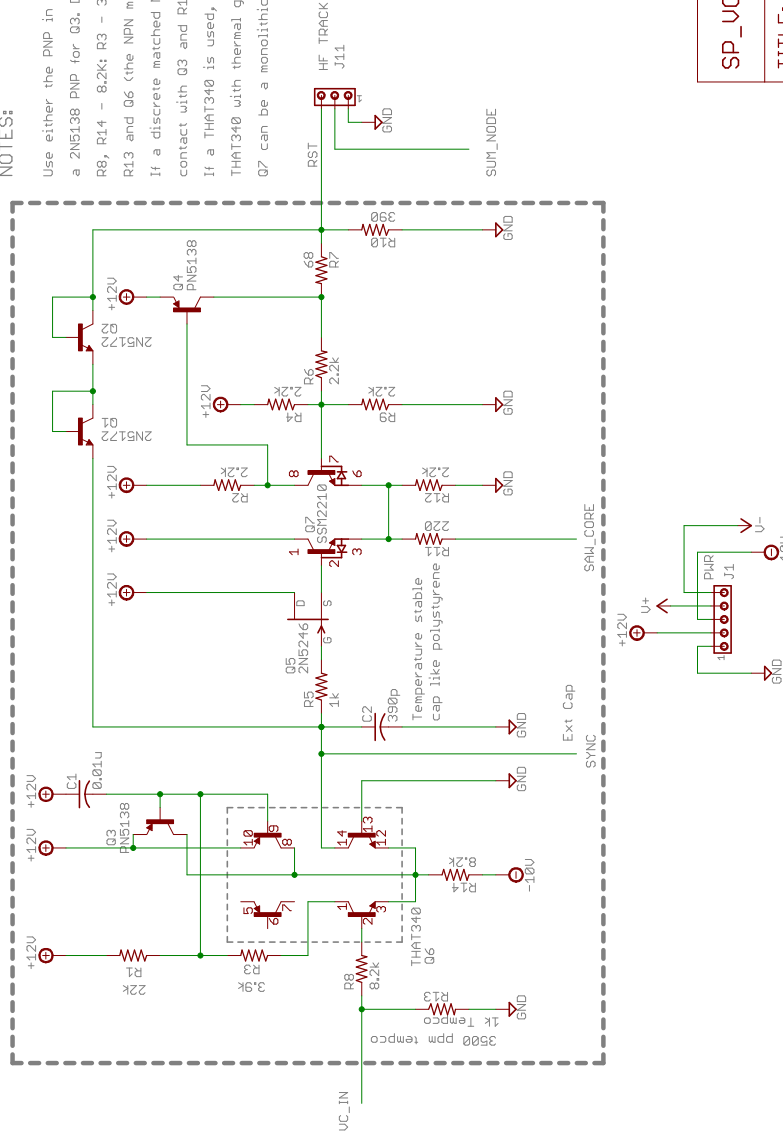


NOTES:

Use either the PNP in the THAT340 or matched NPNs for Q6 and a 2N5138 PNP for Q3. DO NOT INSTALL Q3 IF A THAT340 IS USED!
 R8, R14 - 8.2k; R3 - 3.9k; R1 - 22k use RIN58E, 0.1% if desired.
 R13 and Q6 (the NPN matched pairs) and Q3 should be in thermal contact.
 If a discrete matched NPN pair is used, be sure the pair is in physical and thermal contact with Q3 and R13.
 If a THAT340 is used, Q3 is not installed and mount R13 over the top of the THAT340 with thermal grease.
 Q7 can be a monolithic pair like SSM2210 or matched/unmatched NPNs



The VCO uses all the power connections. Use 150u electrolytics and 22 ohm resistors on the Power PCB as noted.

Copyright 1976, 2010 Nujle Steiner and Analogue Realities. All rights reserved

SP_VCO_A_1.6	
TITLE: Voltage Controlled Oscillator	
Document Number:	REV:
Date: 4/19/2013 5:01:16 PM	Sheet: 1/4